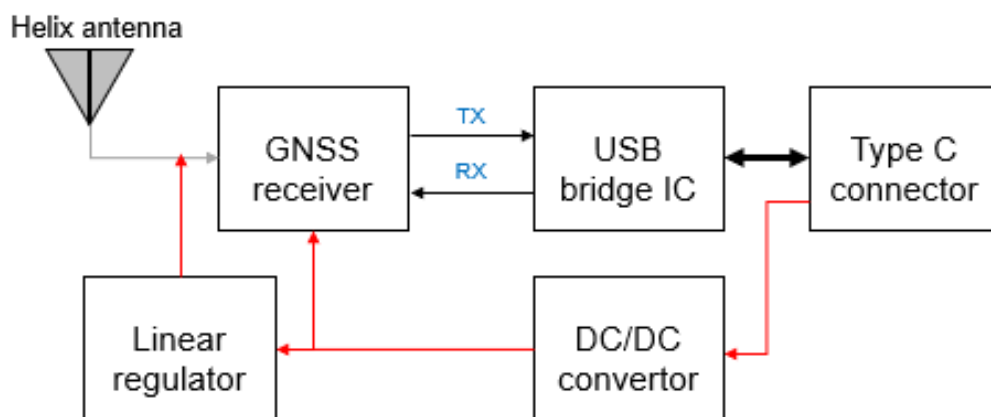


RTK-4P Specification





BLOCK DIAGRAM



Product name	RTK-4P
Description	RTK device for OTG enabled Android smartphone
RTK performance	
Horizontal pos. accuracy ¹	1cm+1ppm CEP
Vertical pos. accuracy ¹	1cm+1ppm CEP
GNSS receiver	
Constellation	GPS, BEIDOU, QZSS, GLONASS
Frequency	Dual frequency (L1, L2)
Antenna	Helix antenna
Interface	
USB	Type C connector
Cable	Type C to type C
Power	
Input voltage ²	5V ± 0.5V
Power consumption	0.6W
Mechanical specification	
Dimension	2.75(D) x 9.5(H)cm
Weight	35g
Environment	
Operating temperature	-30 ~ 70°C
Storage temperature	-40 ~ 85 °C

<Specifications are subject to change without notice.>

1. ppm limited to baselines up to 20 km.
2. OTG enabled smartphone can automatically power RTK-4P.