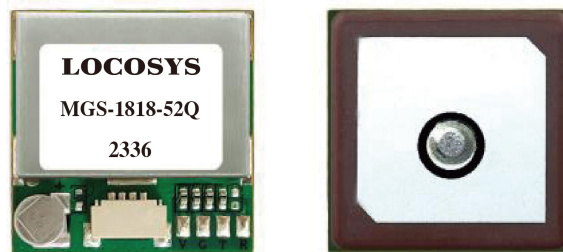


Product name	Description	Version
MGS-1818-52Q	Standalone multi-frequency GNSS smart antenna module	0.8



1 Introduction

MGS-1818-52Q is a complete standalone multi-frequency GNSS smart antenna module, including embedded patch antenna and GNSS receiver circuits which is based Airoha AG3352Q platform. The module can simultaneously acquire and track multiple satellite constellations that include GPS, GLONASS, GALILEO, BAIDOU, and QZSS simultaneously, which in combination with the support of SBAS, greatly increases the number of visible satellites and enhances positioning accuracy.

Its superior cold-start sensitivity allows it to acquire, track, and get position fix autonomously in difficult weak signal environment. Its superior tracking sensitivity allows continuous position coverage in nearly all outdoor application environments.

The module supports hybrid ephemeris prediction to achieve faster cold start. One is self-generated ephemeris prediction (called EASY) that is no need of both network assistance and host CPU's intervention. This is valid for up to 3 days and updates automatically from time to time when GNSS module is powered on and satellites are available. The other is server-generated ephemeris prediction (called EPO) that gets from an internet server. This is valid for up to 14 days. Both ephemeris predictions are stored in the on-board flash memory and perform a cold start time less than 15 seconds.

The faster GNSS fixes make it possible to use accurate positioning and navigation services anytime and anywhere with a smaller power budget than previously possible. Available in a cost-optimized version as well as a low-power version which supports for the Adaptive Low Power (ALP) feature in fitness and normal navigation modes.

2 Features

- Build on high performance, low-power AG3352Q chip set
- Ultra-High track sensitivity
- Support GPS, GLONASS, GALILEO, BAIDOU, and QZSS simultaneously
- Capable of SBAS (WAAS, EGNOS, MSAS, GAGAN)
- Low power consumption
- Free hybrid ephemeris prediction to achieve faster cold start

- Multipath detection and suppression
- Small form factor
- Connector or direct soldering connection alternatives
- RoHS compliant

3 Application

- Personal positioning and navigation
- Automotive navigation
- Marine navigation

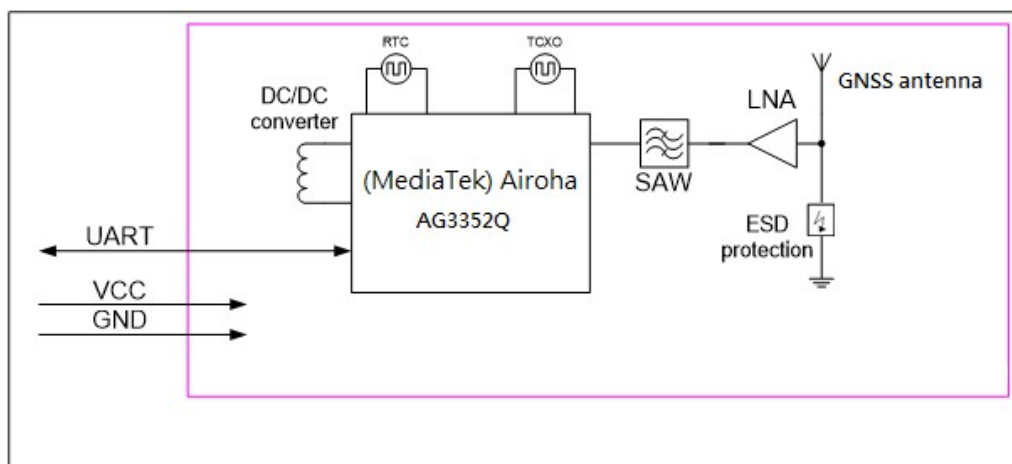


Fig 3-1 System block diagram of MGS-1818-52Q

4 GNSS receiver and antenna

4.1 GNSS receiver

Frequency	GPS/QZSS: L1 C/A, L1C GLONASS: L1OF GALILEO: E1 BEIDOU: B1I, B1C	
Channels	Support 47 channels	
Update rate	1Hz default, up to 10Hz	
Acquisition Time	Hot start (Open Sky)	5s (typical)
	Cold Start (Open Sky)	25s (typical) without AGPS
		< 15s (typical) with AGPS (hybrid ephemeris prediction)
Position Accuracy	Autonomous	1.5m CEP
	SBAS	1.5m CEP
Velocity accuracy	0.01m/s CEP	
Time accuracy	10ns for 1PPS	
Datum	WGS-84 (default)	
Max. Altitude	< 10,000 m, up to 80,000m by request	
Max. Velocity	< 100 m/s	
Protocol	NMEA 0183 ver 4.10	115200 bps ⁽¹⁾ , 8 data bits, no parity, 1 stop bits
		1Hz: GGA, GLL, GSA, GSV, RMC, VTG

Note (1): Both baud rate and output message rate are configurable.

5 Software interface

5.1 NMEA output message

Table 5.1-1 NMEA output message

NMEA record	Description
GGA	Global positioning system fixed data
GLL	Geographic position - latitude/longitude
GSA	GNSS DOP and active satellites
GSV	GNSS satellites in view
RMC	Recommended minimum specific GNSS data
VTG	Course over ground and ground speed

● GGA--- Global Positioning System Fixed Data

Table 5.1-2 contains the values for the following example:

```
$GNGGA,061300.000,2503.71255,N,12138.74493,E,2,38,0.44,121.12,M,15.32,M,,*7E
```

Table 5.1-2 GGA Data Format

Name	Example	Units	Description
Message ID	\$GNGGA		GGA protocol header
UTC Time	061300.000		hhmmss.sss
Latitude	2503.71255		ddmm.mmmmm
N/S indicator	N		N=north or S=south
Longitude	12138.74493		dddmm.mmmmm
E/W Indicator	E		E=east or W=west
Position Fix Indicator	2		See Table 5.1-3
Satellites Used	38		Number of satellites in use
HDOP	0.44		Horizontal Dilution of Precision (meters)
MSL Altitude	121.12	meters	Antenna Altitude above/below mean-sea-level (geoid) (in meters)
Units	M	meters	Units of antenna altitude, meters
Geoidal Separation	15.32	meters	
Units	M	meters	Units of geoidal separation, meters
Age of diff. GNSS data		second	Null fields when DGPS is not used
Diff. Ref. Station ID			Differential reference station ID, 0000-1023
Checksum	*7E		Checksum
<CR> <LF>			End of message termination

Table 5.1-3 Position Fix Indicators

Value	Description
0	No position fix
1	Autonomous GNSS fix
2	Differential GNSS fix
4	RTK fixed
5	RTK float
6	Estimated/Dead reckoning fix

● **GLL--- Geographic Position – Latitude/Longitude**

Table 5.1-4 contains the values for the following example:

\$GNGLL,2503.71255,N,12138.74493,E,061300.000,A,D*42

Table 5.1-4 GLL Data Format

Name	Example	Units	Description
Message ID	\$GNGLL		GLL protocol header
Latitude	2503.71255		ddmm.mmmmm
N/S indicator	N		N=north or S=south
Longitude	12138.7493		dddmm.mmmmm
E/W indicator	E		E=east or W=west
UTC Time	061300.000		hhmmss.sss
Status	A		A=data valid or V=data not valid
Mode	D		N = No position fix A = Autonomous GNSS fix D = Differential GNSS fix R = RTK fixed F = RTK float E = Estimated/Dead reckoning fix
Checksum	*42		
<CR> <LF>			End of message termination

● **GSA---GNSS DOP and Active Satellites**

Table 5.1-5 contains the values for the following example:

\$GNGSA,A,3,19,195,17,06,20,11,09,02,194,12,05,04,0.81,0.44,0.68,1*04
 \$GNGSA,A,3,14,,,,,,,,,0.81,0.44,0.68,1*03
 \$GNGSA,A,3,66,81,88,65,79,82,,,,,,,,,0.81,0.44,0.68,2*0B
 \$GNGSA,A,3,03,15,34,27,30,,,,,,,,,0.81,0.44,0.68,3*02
 \$GNGSA,A,3,33,40,07,10,38,28,08,41,13,14,43,42,0.81,0.44,0.68,4*0B

\$GNGSA,A,3,11,39,,,,,,,,,0.81,0.44,0.68,4*09

Table 5.1-5 GSA Data Format

Name	Example	Units	Description
Message ID	\$GNGSA		GSA protocol header
Mode 1	A		See Table 5.1-6
Mode 2	3		See Table 5.1-7
ID of satellite used	19		SV on Channel 1
ID of satellite used	195		SV on Channel 2
....		
ID of satellite used			SV on Channel 12
PDOP	0.81		Position Dilution of Precision
HDOP	0.44		Horizontal Dilution of Precision
VDOP	0.68		Vertical Dilution of Precision
GNSS system ID	1		See Table 5.1-8
Checksum	*04		
<CR> <LF>			End of message termination

Table 5.1-6 Mode 1

Value	Description
M	Manually set to operate in 2D or 3D mode
A	Automatically switching between 2D or 3D mode

Table 5.1-7 Mode 2

Value	Description
1	No position fix
2	2D fix
3	3D fix

Table 5.1-8 GNSS system ID

Value	Description
1	GPS
2	GLONASS
3	GALILEO
4	BEIDOU
6	IRNSS

● GSV---GNSS Satellites in View

Table 5.1-9 contains the values for the following example:

\$GPGSV,4,1,15,196,73,108,46,19,72,077,47,195,71,061,47,199,59,164,22,1*5B

\$GPGSV,4,2,15,17,54,115,47,06,49,003,48,20,44,248,47,11,36,306,46,1*6E

```
$GPGSV,4,3,15,09,35,079,45,02,31,307,45,194,28,175,43,12,25,302,43,1*52
$GPGSV,4,4,15,05,14,230,38,04,14,051,38,14,11,173,43,1*53
$GLGSV,2,1,07,66,71,107,44,81,39,356,48,88,36,067,47,67,33,187,,1*7B
$GLGSV,2,2,07,65,25,033,46,79,17,262,47,82,08,315,43,1*46
$GAGSV,2,1,05,03,49,122,45,15,47,342,45,34,37,056,43,27,33,273,43,7*7B
$GAGSV,2,2,05,30,30,208,41,7*49
$GBGSV,4,1,14,33,72,072,50,40,63,187,48,07,63,217,45,10,63,251,45,1*74
$GBGSV,4,2,14,38,58,328,48,28,56,353,49,08,52,306,44,41,47,200,48,1*75
$GBGSV,4,3,14,13,47,291,45,14,45,047,45,43,44,092,47,42,20,040,42,1*71
$GBGSV,4,4,14,11,20,105,41,39,11,172,42,1*78
```

Table 5.1-9 GSV Data Format

Name	Example	Units	Description
Message ID	\$GPGSV		GSV protocol header GP=GPS/QZSS, GL=GLONSS, GA=GALILEO, GB=BEIDOU, GI=IRNSS.
Total number of messages	4		Range 1 to 9
Message number	1		Range 1 to 9
Satellites in view	15		
Satellite ID	196		Channel 1
Elevation	73	degrees	Channel 1 (Range 00 to 90)
Azimuth	108	degrees	Channel 1 (Range 000 to 359)
SNR (C/No)	46	dB-Hz	Channel 1 (Range 00 to 99, null when not tracking)
....		
Satellite ID	199		Channel 4
Elevation	59	degrees	Channel 4 (Range 00 to 90)
Azimuth	164	degrees	Channel 4 (Range 000 to 359)
SNR (C/No)	22	dB-Hz	Channel 4 (Range 00 to 99, null when not tracking)
Signal ID	1		GPS/QZSS: L1 C/A=1 GLONASS: L1 C/A=1 GALILEO: E1=7 BEIDOU: B1=1, B1C=3
Checksum	*5B		
<CR> <LF>			End of message termination

● **RMC---Recommended Minimum Specific GNSS Data**

Table 5.1-10 contains the values for the following example:

```
$GNRMC,061300.000,A,2503.71255,N,12138.74493,E,0.01,30.70,150622,,D,V*38
```

Table 5.1-10 RMC Data Format

Name	Example	Units	Description
Message ID	\$GNRMC		RMC protocol header
UTC Time	061300.000		hhmmss.sss
Status	A		A=data valid or V=data not valid
Latitude	2503.71255		ddmm.mmmm
N/S Indicator	N		N=north or S=south
Longitude	12138.74493		dddmm.mmmmm
E/W Indicator	E		E=east or W=west
Speed over ground	0.001	knots	True
Course over ground	30.70	degrees	
Date	150622		ddmmyy
Magnetic variation		degrees	
Variation sense			E=east or W=west
Mode	D		N = No position fix A = Autonomous GNSS fix D = Differential GNSS fix R = RTK fixed F = RTK float E = Estimated/Dead reckoning fix
Navigational status indicator	V		S = Safe C = Caution U = Unsafe V = Void
Checksum	*38		
<CR> <LF>			End of message termination

● **VTG---Course Over Ground and Ground Speed**

Table 5.1-11 contains the values for the following example:

\$GNVTG,30.70,T,,M,0.01,N,0.01,K,D*12

Table 5.1-11 VTG Data Format

Name	Example	Units	Description
Message ID	\$GPVTG		VTG protocol header
Course over ground	30.70	degrees	Measured heading
Reference	T		True

Course over ground		degrees	Measured heading
Reference	M		Magnetic
Speed over ground	0.001	knots	Measured speed
Units	N		Knots
Speed over ground	0.001	km/hr	Measured speed
Units	K		Kilometer per hour
Mode	D		N = No position fix A = Autonomous GNSS fix D = Differential GNSS fix R = RTK fixed F = RTK float E = Estimated/Dead reckoning fix
Checksum	*12		
<CR> <LF>			End of message termination

6 Pin assignment and descriptions

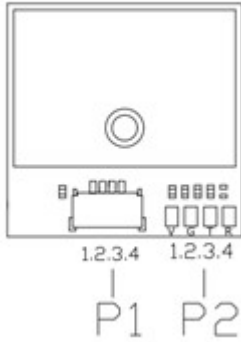


Table 6.1: P1 Pin Description

Pin #	Name	Type	Description	Remark
1	VCC	I	Module Power Supply	Voltage range: 3.0V~5.5V
2	GND	G	Ground	
3	TXD	O	UART Serial Data output	
4	RXD	I	UART Serial Data Input	

Table 6.2: P2 Pin Description

Pin #	Name	Type	Description	Remark
1	VCC	I	Module Power Supply	Voltage range: 3.0V~5.5V
2	GND	G	Ground	
3	TXD	O	UART Serial Data output	
4	RXD	I	UART Serial Data Input	

7 DC & Temperature characteristics

7.1 Absolute maximum ratings

Parameter	Symbol	Ratings	Units
Input Voltage	VCC	5.0	V
Operating Temperature Range	Topr	-40 ~ 85	°C
Storage Temperature Range	Tstg	-55 ~ 90	°C

7.2 DC Electrical characteristics

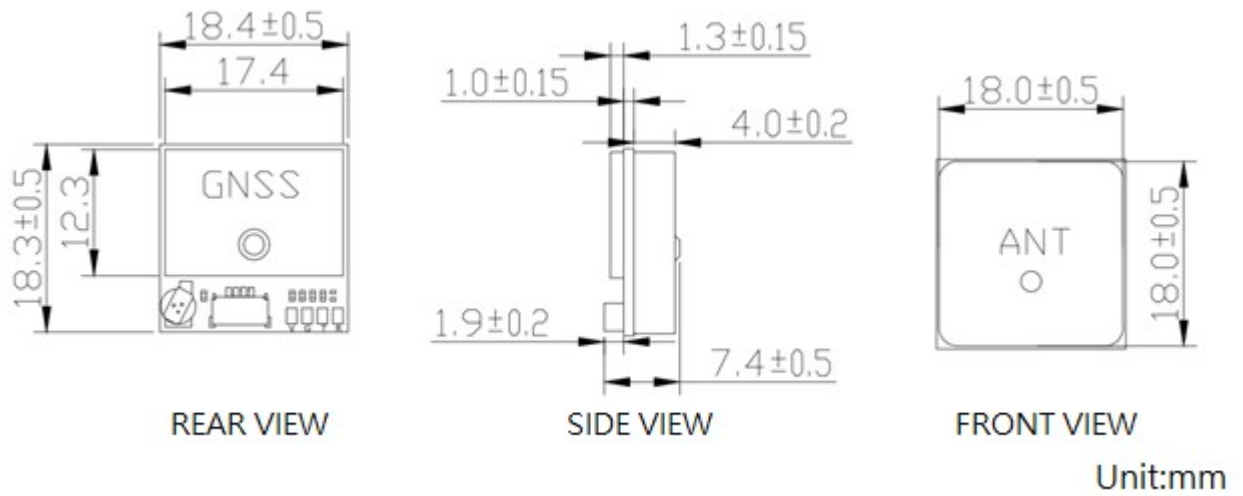
Parameter	Symbol	Conditions	Min.	Typ.	Max.	Units
Input Voltage	VCC		3.0	3.3	5.0	V
Supply Current	I _{VCC}	Full operation		20 ⁽¹⁾	150 ⁽²⁾	mA
High Level Input Voltage	V _{IH}		2.0		3.6	V
Low Level Input Voltage	V _{IL}		-0.3		0.8	V
High Level Output Voltage	V _{OH}		2.4		3.3	V
Low Level Output Voltage	V _{OL}				0.4	V

Note (1): Measured when position fix (1Hz) is available and input voltage is 3.3V. For different input voltage (VCC).

7.3 Temperature characteristics

Parameter	Symbol	Min.	Typ.	Max.	Units
Operating Temperature	Topr	-40	-	85	°C
Storage Temperature	Tstg	-55	25	90	°C

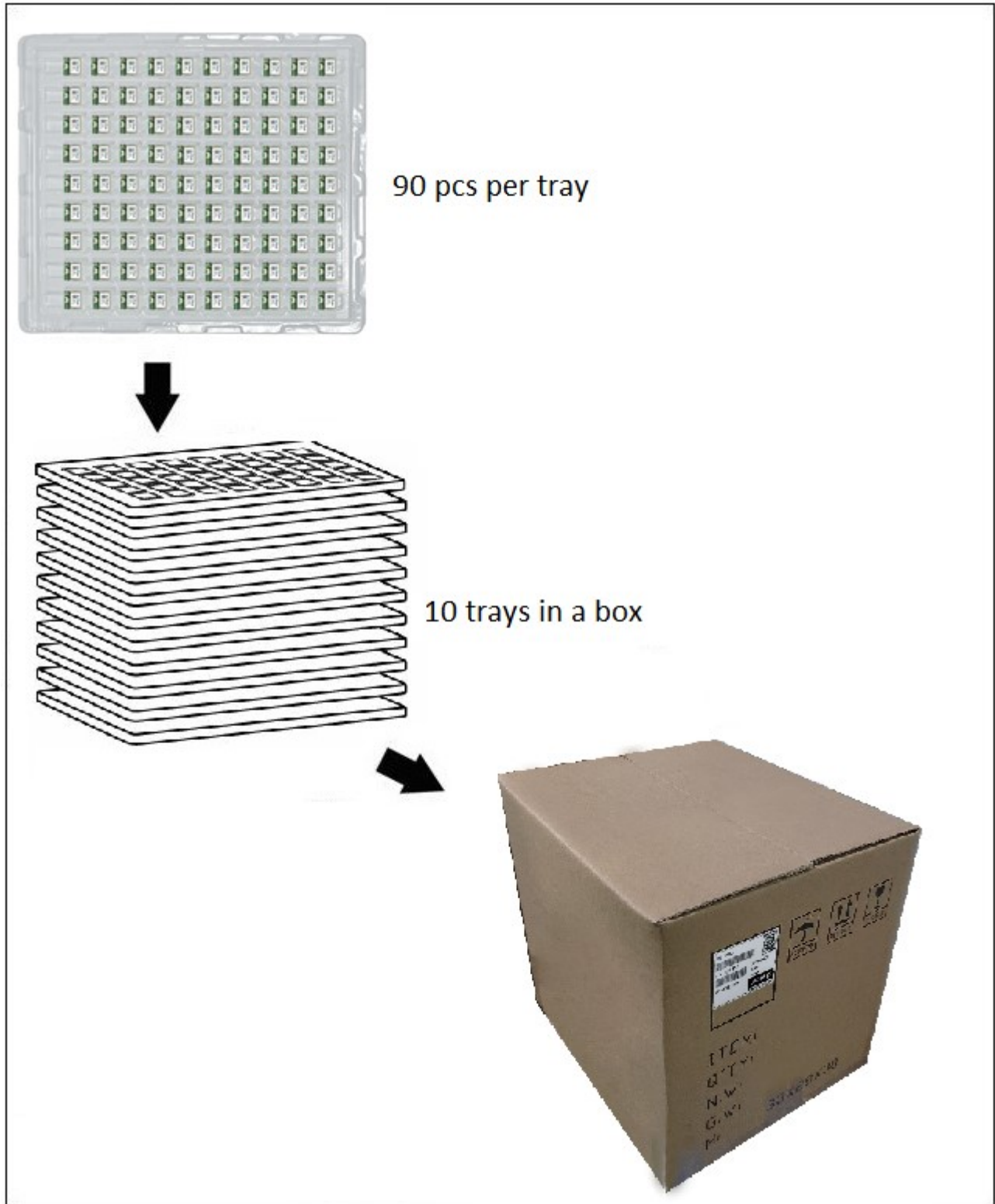
8 Mechanical specification



Note: The connector is compatible with the JST's SUR 0.8mm pitch series SM04B-SURS-TF side entry connector.

9 Packing and Handling

9.1 Packing



9.2 ESD Handling



Please carefully follow the following precautions to prevent severe damage to GPS modules.

LOCOSYS GNSS smart antenna modules are sensitive to electrostatic discharges and thus are Electrostatic

Sensitive Devices (ESD). Careful handling of the GPS modules follow the standard ESD safety protections:

- Unless there is a galvanic coupling between the local (i.e. the worktable) GND and the PCB GND, then the first point of contact when handling the PCB shall always be between the local GND and PCB GND.
- Before working with the antenna feed pin, please make sure the GND is connected.
- When working with the antenna feed pin, do not contact any charges capacitors or materials that can easily develop or store charges such as patch antenna, coax cable, soldering iron.
- When soldering the antenna feed pin, please make sure to use an ESD safe soldering iron (tip).

Document change list

Revision 0.8

- First release on Sept. 05, 2023.