

# LH-105AR-D Specification



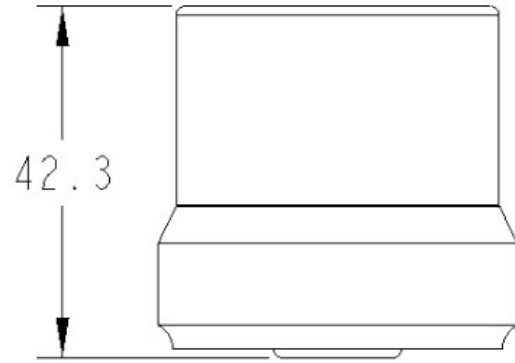
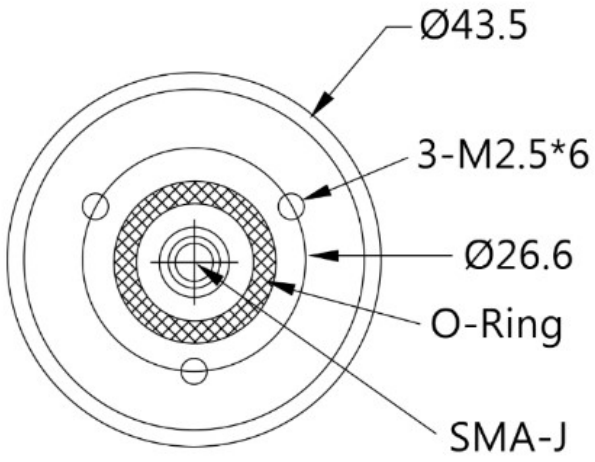
# High Performance Helix Antenna

LH-105AR-D is an active dual-frequency GNSS antenna for L1 and L5 bands of GPS/QZSS, GLONASS, GALILEO, BEIDOU and IRNSS. The antenna is light and low power consumption that is ideal for applications requiring RTK level positioning accuracy, such as self-driving vehicle, UAV display, aerial photography, high precision mapping, remote sensing, traffic control and public security.

## 1. Technical specification

Antenna Specifications	
Frequency	GPS/QZSS: L1, L5 GLONASS: L1 GALILEO: E1, E5 BEIDOU: B1, B2 IRNSS: L5
Polarization	RHCP
Gain (dBi)	≥2.5
Antenna AR (dB)	≤1.5
Port impedance (Ω)	50
VSWR	≤ 2
Electrical Specifications	
LNA Gain (dB)	30±3 (Typ. @25°C)
Noise figure (dB)	< 1.5dB@25°C, Typ. (Pre-filter)
Operating voltage(VDC)	3 ~ 16
Operating current(mA)	≤ 45 mA
VSWR	≤1.8:1 typ. 2.0:1max
Structural Characteristics	
Connector type	SMA-J
Protection level	IP67
Weight	≤ 32 g
Environment Adaptation	
Operating temperature	-40 ~ 85 °C
Storage temperature	-40 ~ 85 °C
Relative humidit	95% couldn't condense

## 2. Size



unit:mm